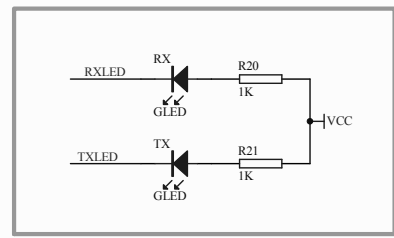
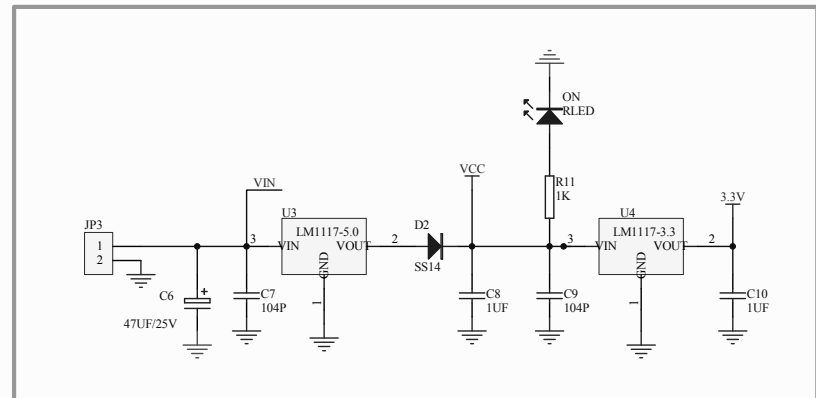
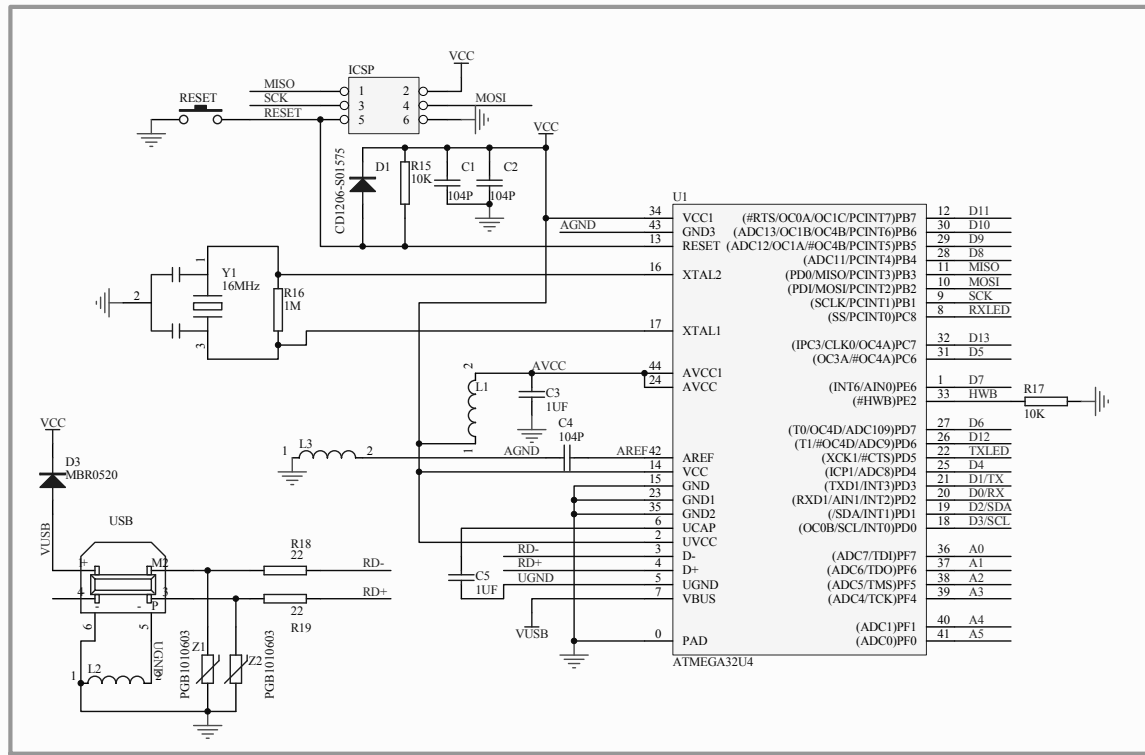


Free Life



Title			Free Life
Size	Number	Revision	
A3		1.1	
Date:	2017/6/5	Sheet of	
File:	D:\产品记录\Free Life V2.0.Sch	Drawn By:	