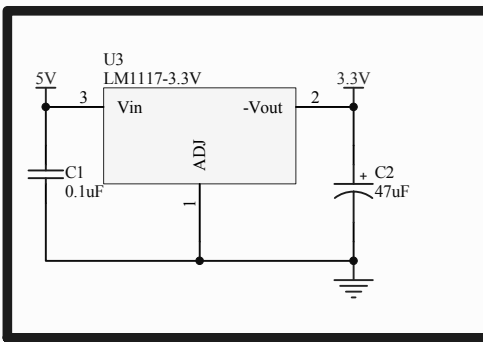
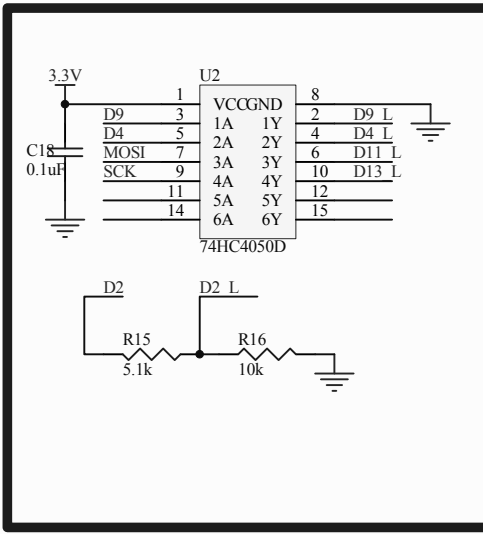


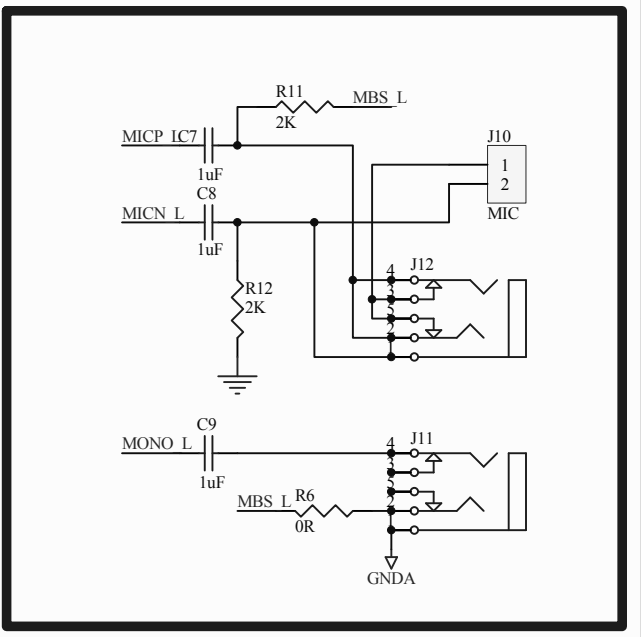
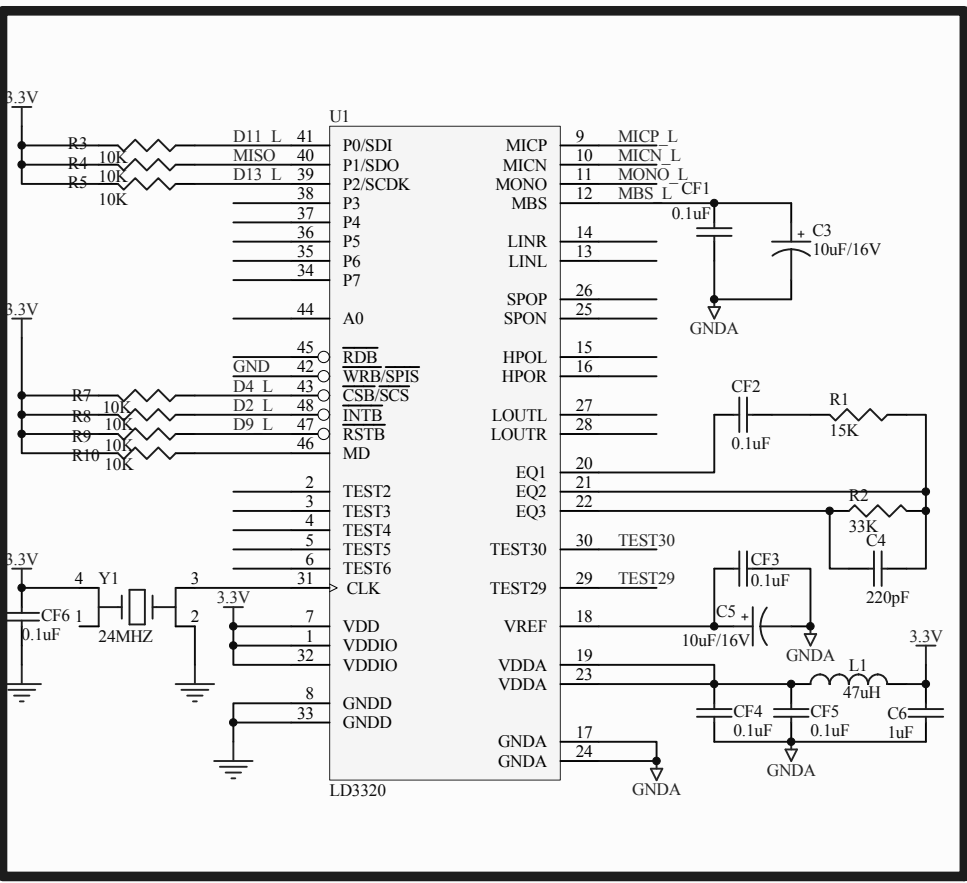
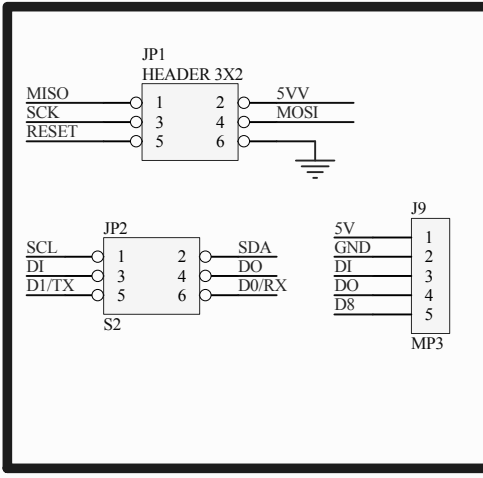
A



B

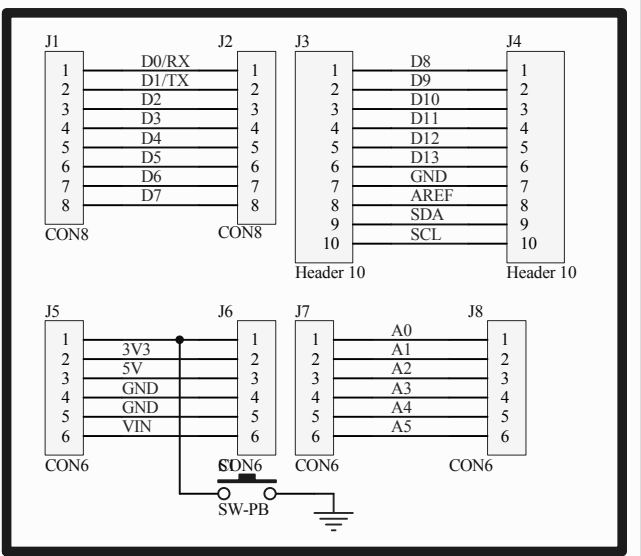


C

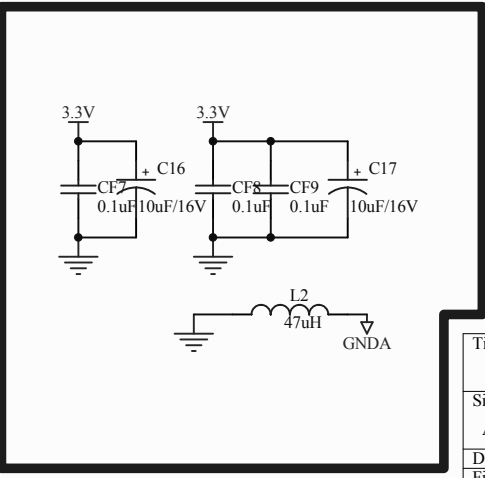


A

B



C



Title			Voice Recognition		
Size	Number		Revision		V1.2
A4					
Date:	2016/5/18		Sheet of		
File:	D:\产产品记录\voice recognition V1.2.Sch		Drawn By:		

D