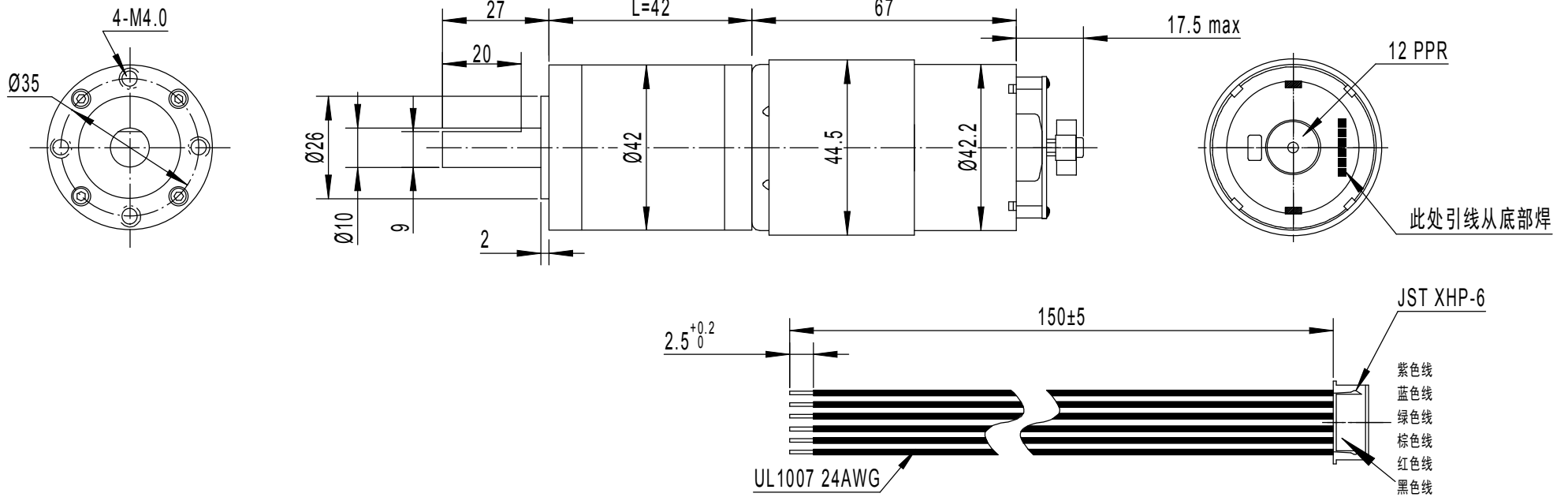


# GMP42-775PM-1250-27-EN GEAR MOTOR



## 减速电机性能参数:

工作电压: 12.0V DC

- 1、空载转速: 184±12%rpm
- 2、空载电流: 0.6A ( 0.9A max)
- 3、堵转力矩: 45kg. cm min
- 4、堵转电流: 18.0A

### 引出线说明:

- 1、 MOTOR - (黑色线)
- 2、 MOTOR + (红色线)
- 3、 HALL SENSOR Vcc (棕色线)(3.5-24V)
- 4、 HALL SENSOR GND (绿色线)
- 5、 HALL SENSOR A Vout 12PPR(蓝色线)
- 6、 HALL SENSOR B Vout 12PPR(紫色线)

TITLE: GMP42-775PM-1250-27-EN	Customer No: A0757	Drafted By: 何义强		
		Checked By:		
Dwg. NO: PO202009107	Date: 2020.10.22	Approved By:		
		1:1.5	Units: mm	Edition No: A
TT MOTOR(HK) INDUSTRIAL CO.,LTD			Angular: =1°	Decimal: X.XX ±0.05
				X.X ±0.2
			X ±0.3	