

Shuttlecock Kit Brief Manual

电子毽筒明制作手册



Soldering Components

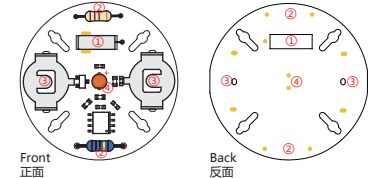
焊接

Step1

Solder components on the base board from 1 to 4 marked in the following picture.

步骤1

如图，按编号由小到大的顺序对各电子元件依次进行焊接。



*The yellow dot represents soldering pad
金色表示焊点

① Vibration sensor 振动传感器

Fold the pin to 90 degree and attach the sensor on the front. Solder the tube on the front side, then solder the pin on the back. Finally, cut off the extra pin.

细管脚弯折90°后从正面插入；先把其圆柱外壳焊接到正面的两个焊盘上，然后在反面相应焊盘处焊接细管脚，最后剪掉多余管脚。

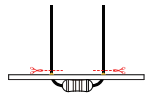
Soldering Components

焊接

② Resistor 电阻

Fold the pins to 90 degree and attach the component on the front. Then solder the pins on the back side and cut off the extra pins.

管脚弯折90度后从正面插入，在反面相应焊盘处焊接，最后剪掉多余管脚。



③ Battery holder 电池座

Attach it on the front, then solder its pins on the back. 从正面插入，在反面相应焊盘处焊接。

④ LED (Orange) 橙色LED灯

Attach it on the front, then solder its pins on the back. Finally, cut off the extra pins.

从正面插入，在反面相应焊盘处焊接，最后剪掉多余管脚。



Soldering Components

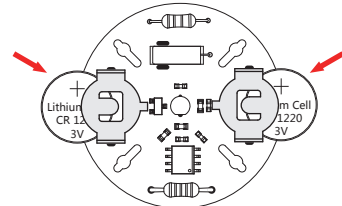
焊接

Step2

Insert batteries. The LED will flash when hit or shaken strongly.

步骤2

插入电池，振动底板，LED灯将会点亮。



Soldering Components

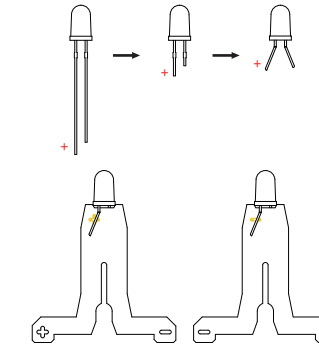
焊接

Step3

Solder the flashing LED on the pillar A.

步骤3

将快闪LED焊接在支柱A上。





www.DFRobot.com

Made in China
Designed by DFRobot

Soldering Components

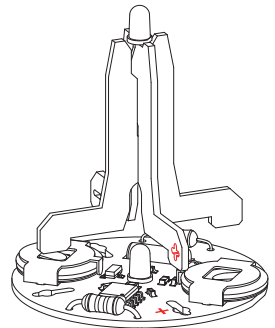
焊接

Step4

Insert pillar B to pillar A to form a bracket with a crossing stand. Then place this bracket on the base and solder them together. Make sure the positive plates has been connected, as showed in the following.

步骤4

将支柱A和支柱B十字交叉后, 焊接到底板上。



Assembling of Shuttlecock

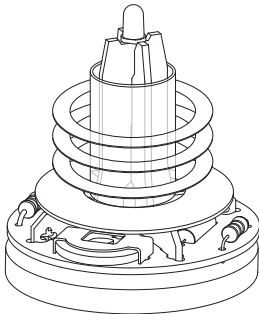
组装

Step1

Put all the components together as the picture showed from bottom to top.

步骤1

如图, 组装底座部分。



Assembling of Shuttlecock

组装

Step2

Insert feathers.

步骤2

如图, 插入羽毛。



Parts List

配件清单

| | | |
|----|------------------|--------------|
| x4 | Feather | 羽毛 |
| x3 | Small Gasket | 小垫片 |
| x1 | Big Gasket | 大垫片 |
| x1 | Tube | 硅胶管 |
| x1 | Mat | 背胶毛毡垫 |
| x1 | PCB Base Board | PCB-底座 |
| x1 | PCB Pillar A | PCB-支柱A |
| x1 | PCB Pillar B | PCB-支柱B |
| x1 | Vibration Sensor | 振动传感器 |
| x1 | LED(Orange) | 直插3mm橙色LED |
| x1 | Flashing LED | 直插3mm七彩快闪LED |
| x1 | Resistor 1M | 金属膜电阻1M欧 |
| x1 | Resistor 100 | 碳膜电阻100欧 |
| x2 | Battery CR1220 | 电池CR1220 |
| x2 | Battery holder | 电池座 |